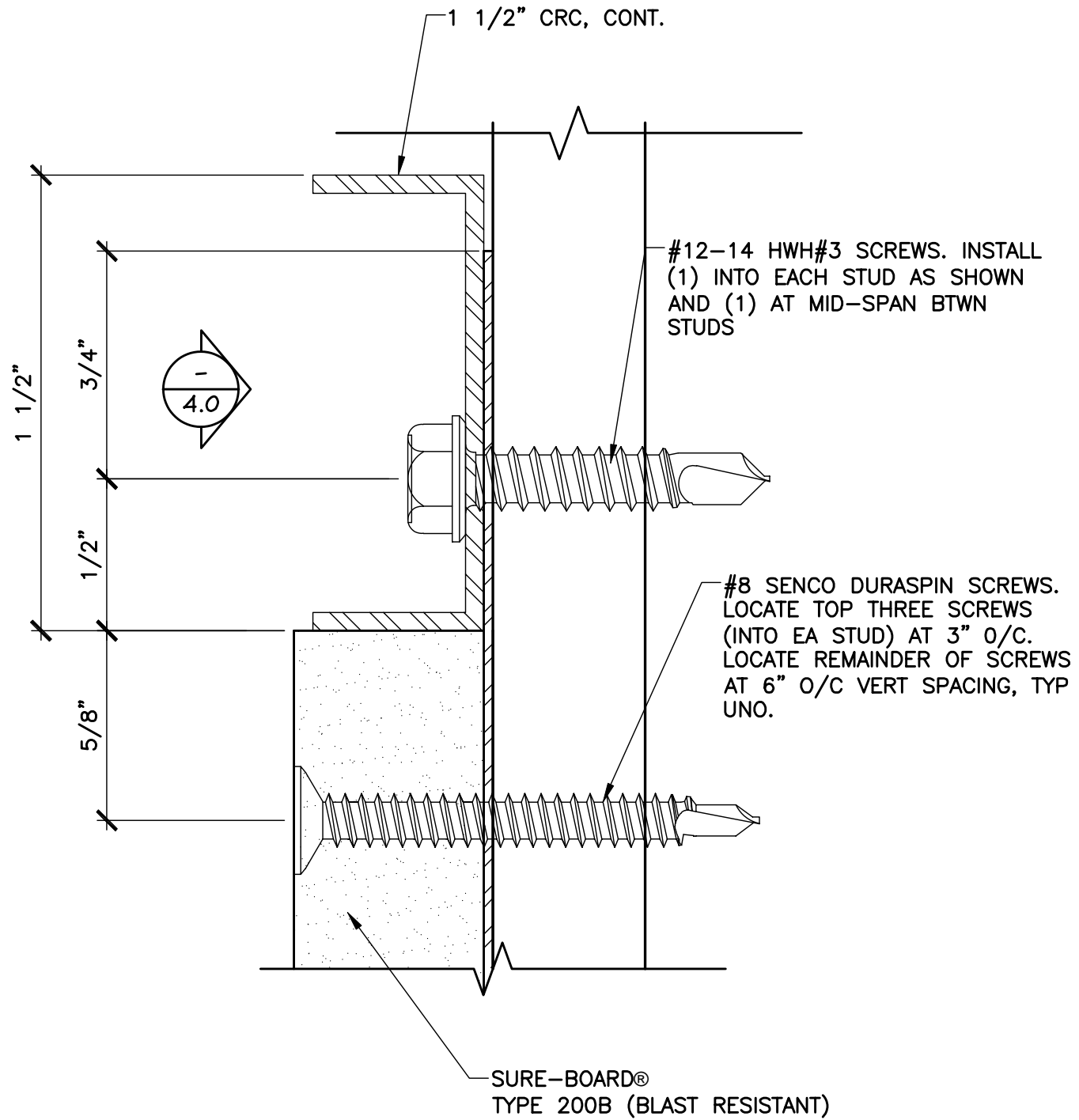
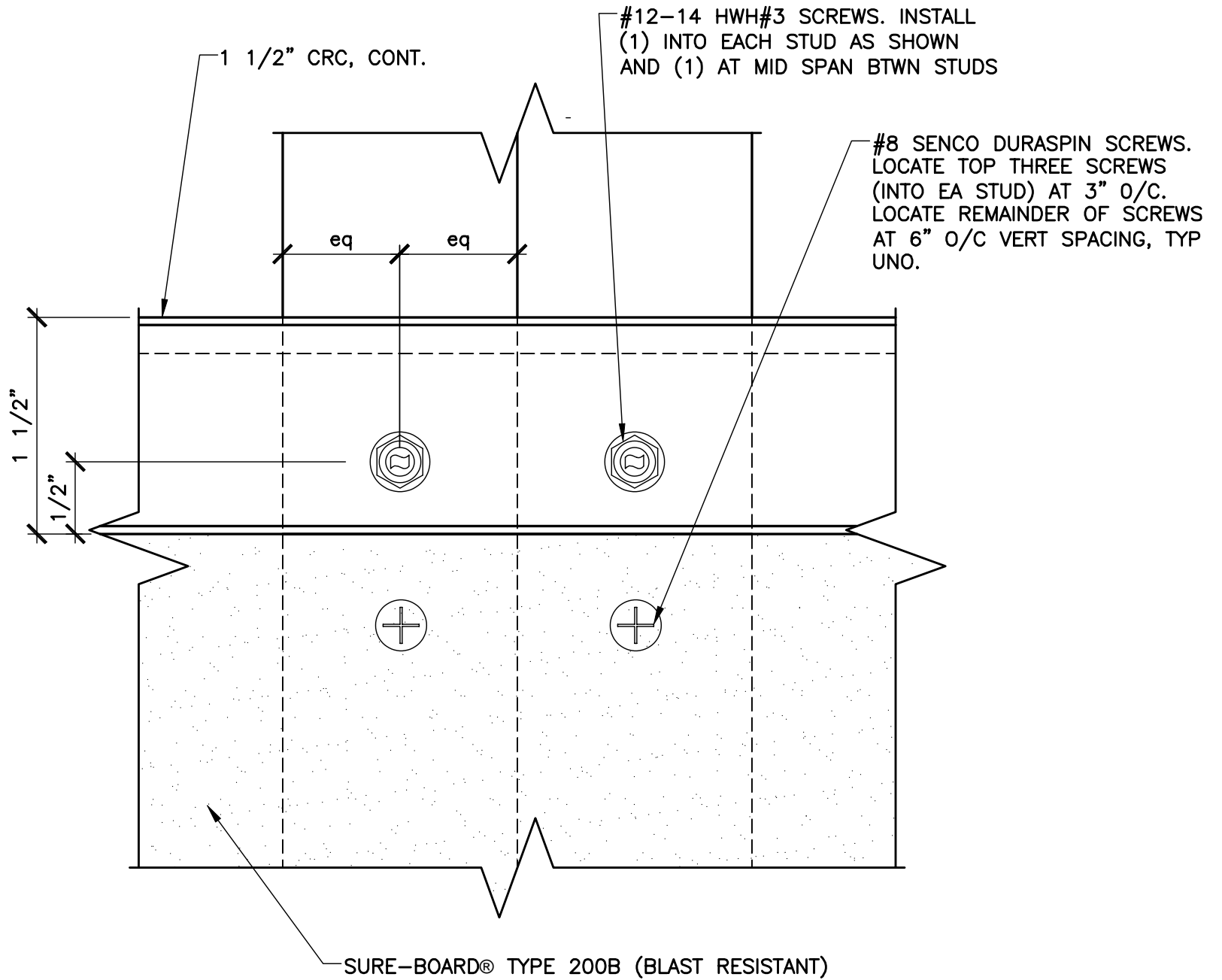


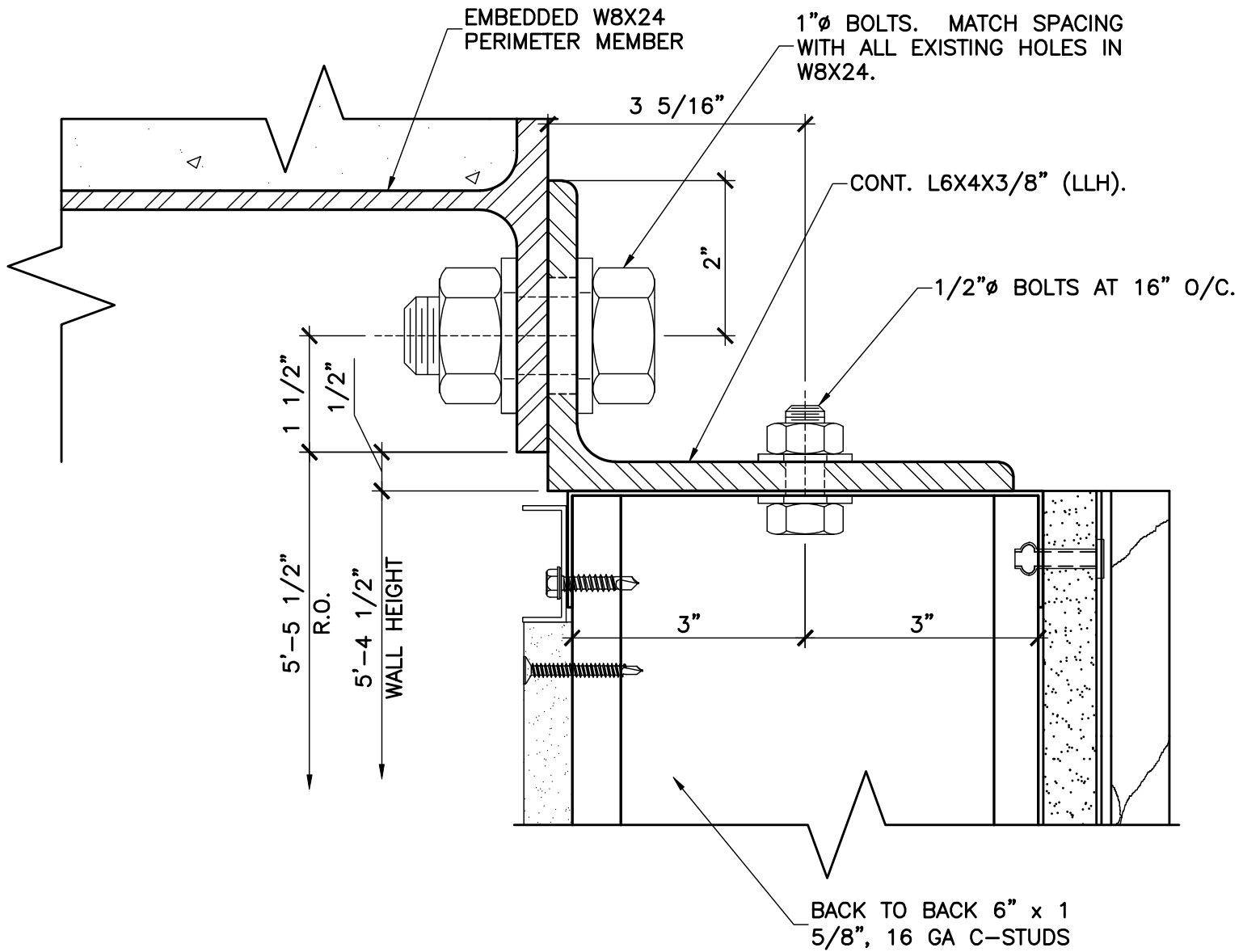
## 2.0 HORIZONTAL SHEET LAP JOINT



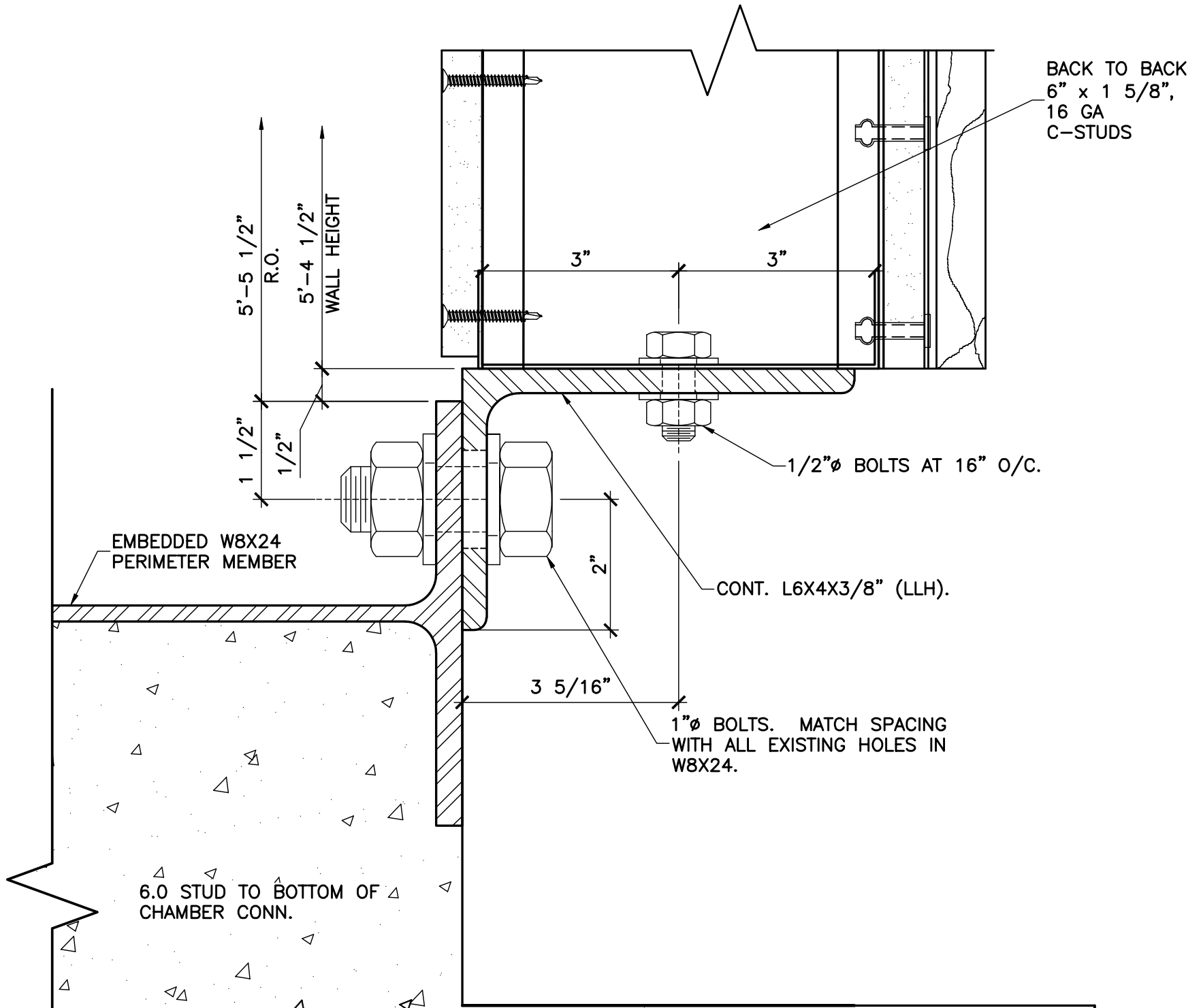
3.0 TOP OF WALL SHEATHING SECT.

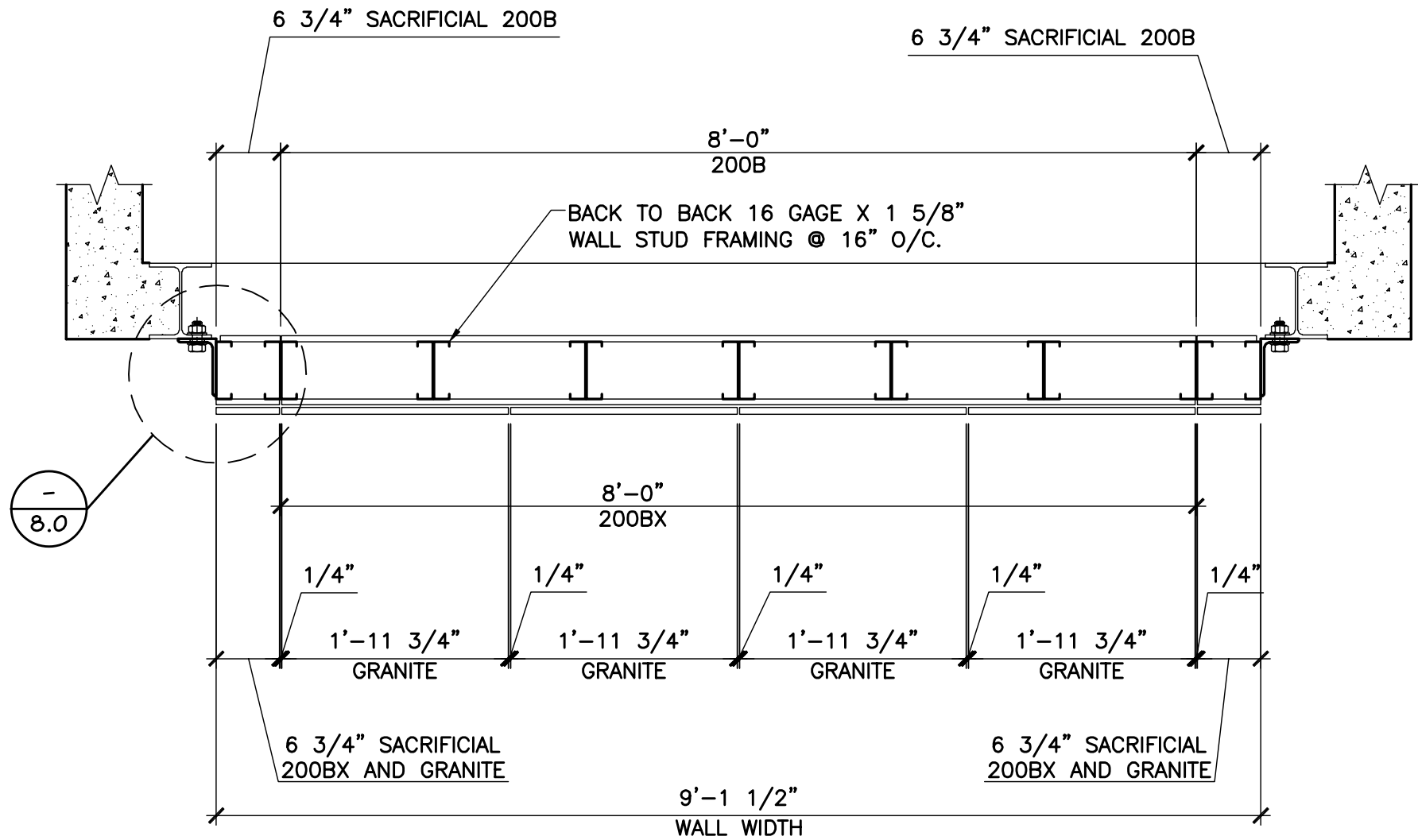


4.0 TOP OF WALL SHEATHING ELEV.

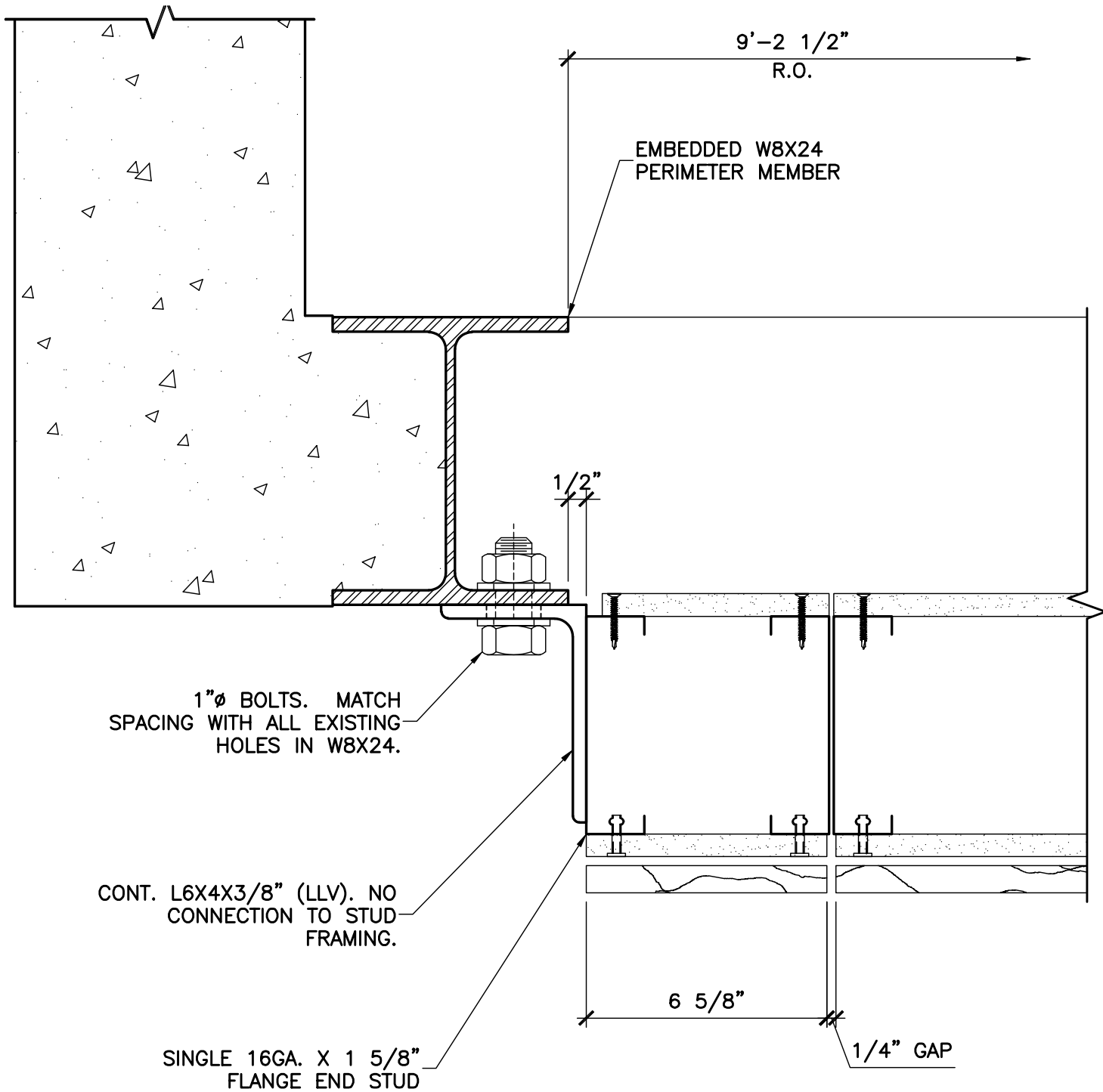


5.0 STUD TO TOP OF CHAMBER CONN.

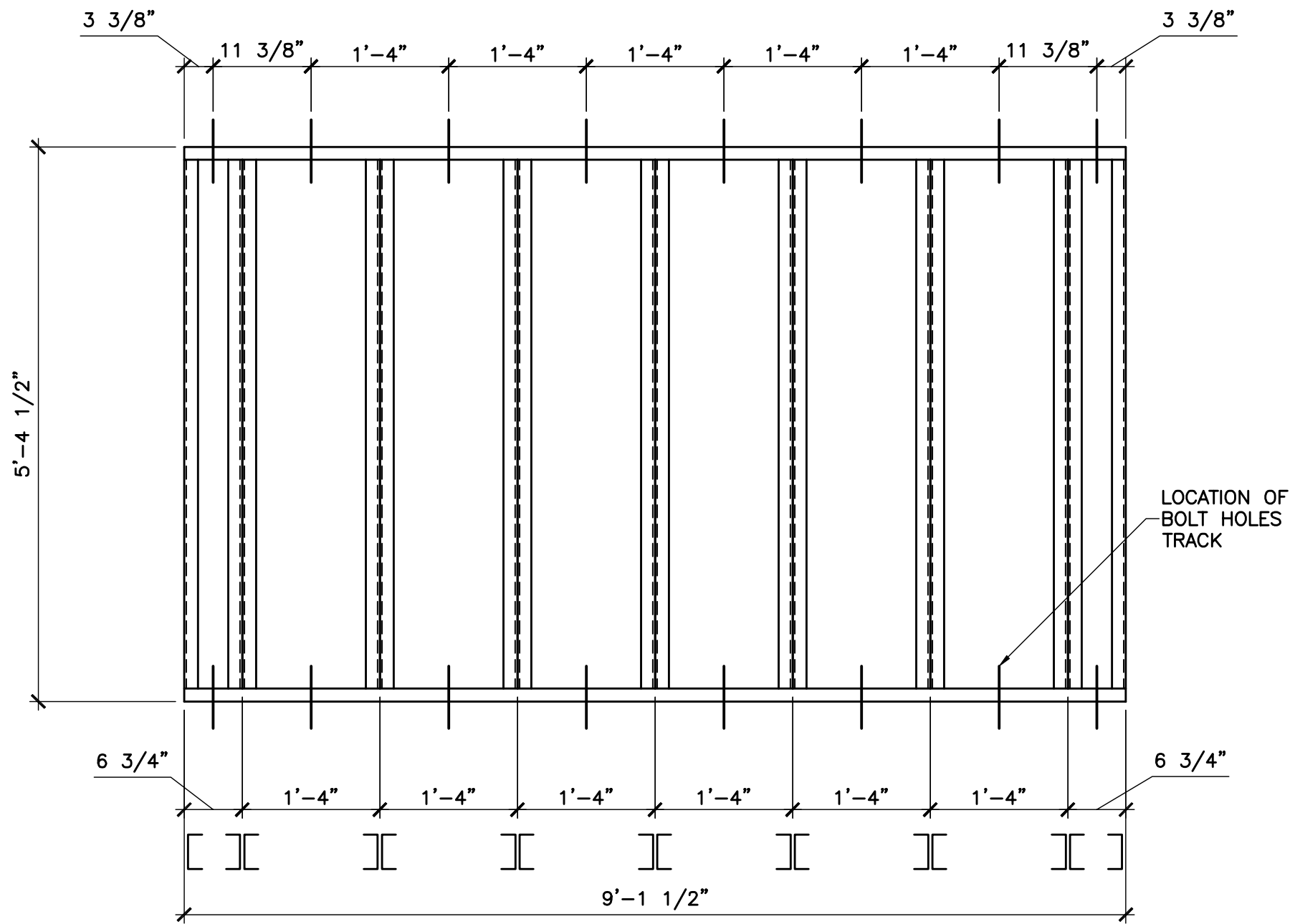




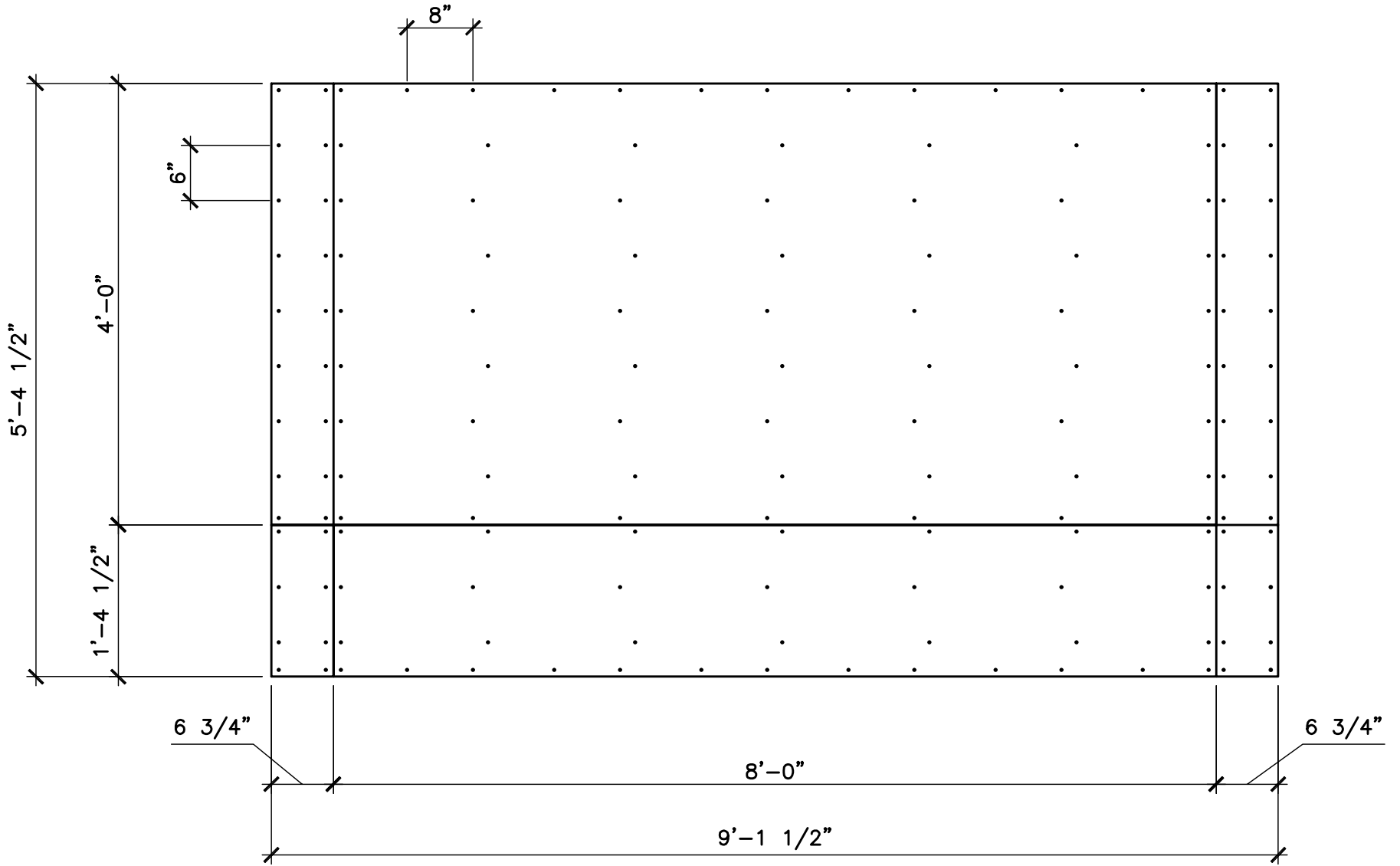
7.0 TYPICAL TEST WALL HORZ. SECTION



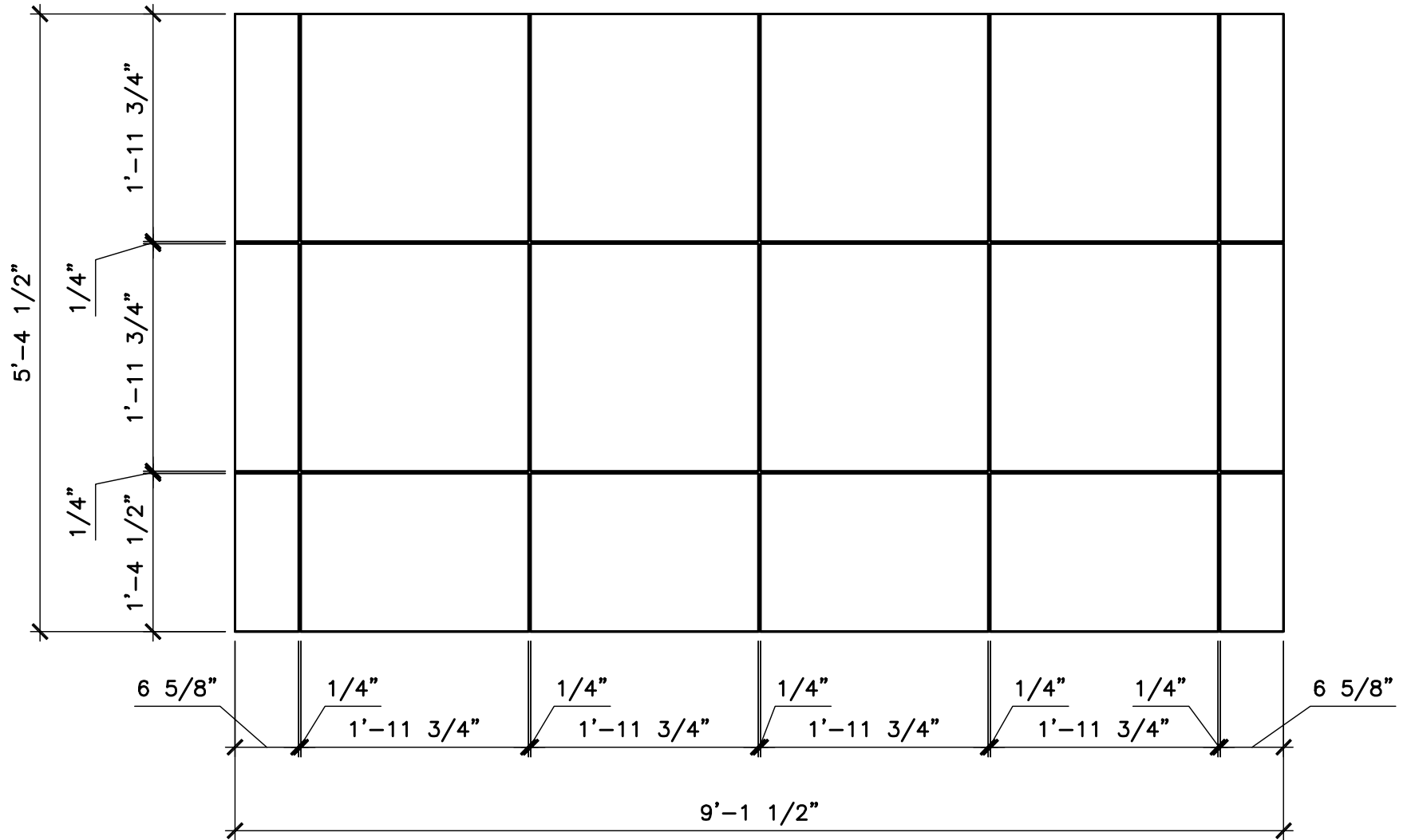
8.0 END STUD TO SIDE OF CHAMBER CONN.



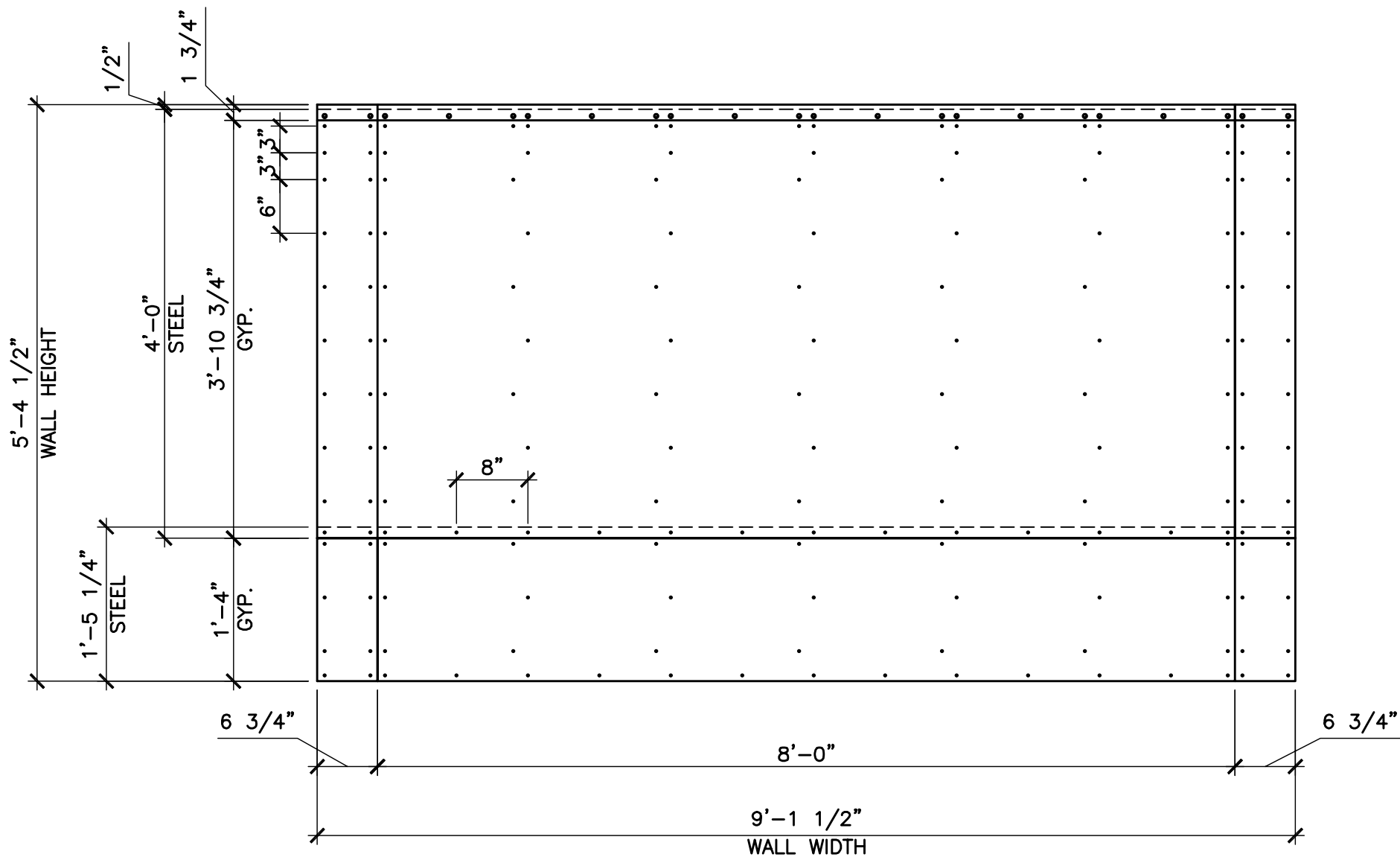
STUD FRAME



EXTERIOR BOARD

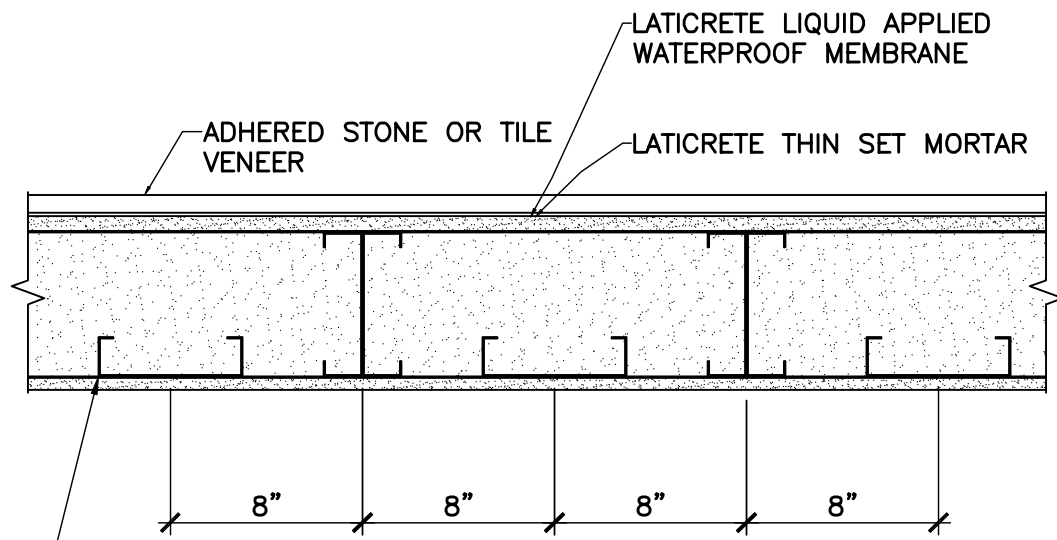


GRANITE PANELS



INTERIOR BOARD





ADD 6"x16GA. FULL HEIGHT STUDS (TURNED 90 DEGREES), BETWEEN EA. DBL. STUD ON INTERIOR SIDE OF WALL. ATTACH TO T&B TRACK W/(2)-#12 PAN HEAD SCREWS.